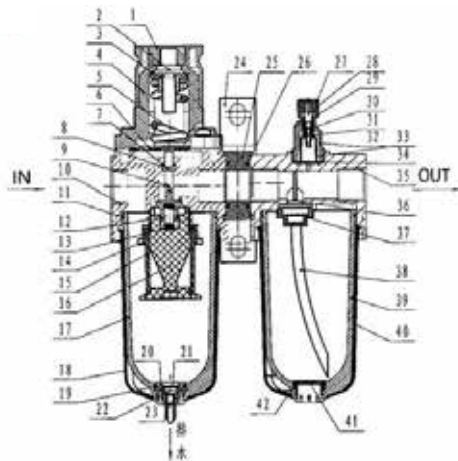
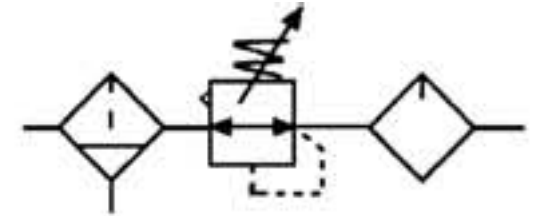


Filter Regulator + Lubricator Professional Range

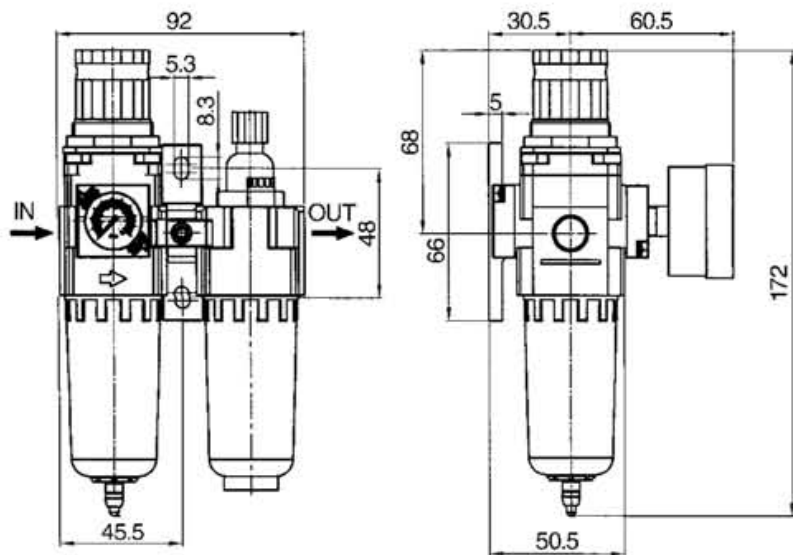
Specification

Type	FM-20	FM-30	FM-40	FM-50
Port Size (G)	1/8"	1/4"	3/8" - 1/2"	3/4" - 1"
Gauge Thread	1/8"		1/4"	
Fluid	Compressed Air			
Pressure Range (Mpa)	0.15 - 0.85			
Max Flow Rate (L/min)	500	1700	3000	5000
Ambient Temperature (°c)	-10°c -to- +60°c			
Filter Precision	Standard: 20 µm			
Oil Recommendation	ISO VG32			
Cup Material	Metal			
Structure	Overflow Type			
Guard Cup	-	■	■	■

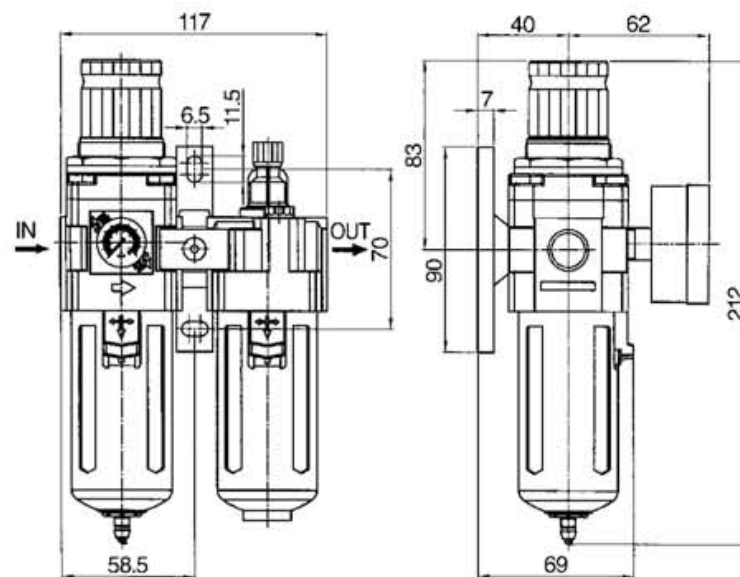


No	Code	No	Code	No	Code	No	Code
1	knob	14	impeller	27	doom button	40	guard cup
2	nut	15	cartridge	28	adjust pin	41	oil cup block
3	screw	16	baffle body	29	o-ring	42	o-ring
4	regulator cover	17	water cup	30	middle doom		
5	regulator spring	18	guard cup	31	o-ring		
6	diaphragm	19	o-ring	32	doom outer cover		
7	o-ring	20	drain doom	33	middle doom		
8	regulator core	21	circlip	34	seals		
9	regulator corewasher	22	drain nozzle	35	lubricator body		
10	filter regulator body	23	drain spring	36	damping fin		
11	o-ring	24	bracket	37	bolt		
12	o-ring	25	connecting block	38	oil tube		
13	regualtor core spring	26	o-ring	39	oil cup		

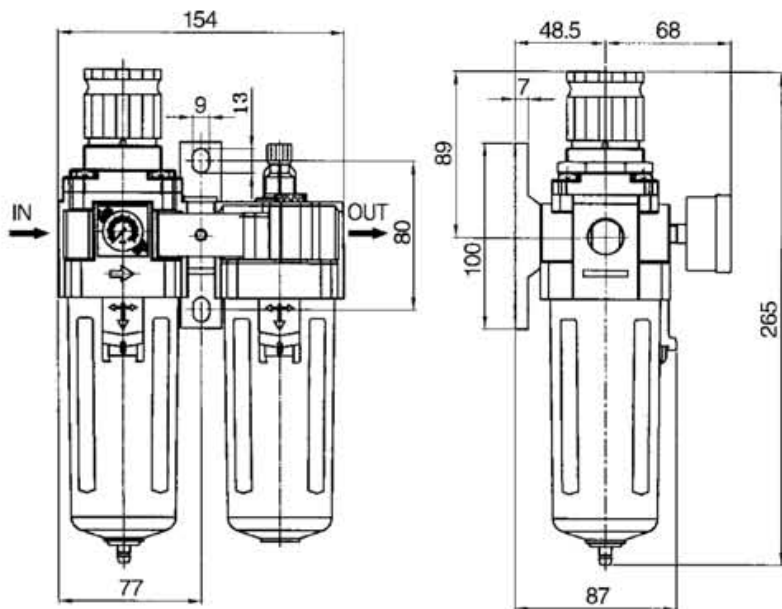
FM-20



FM-30



FM-40



FM-50

